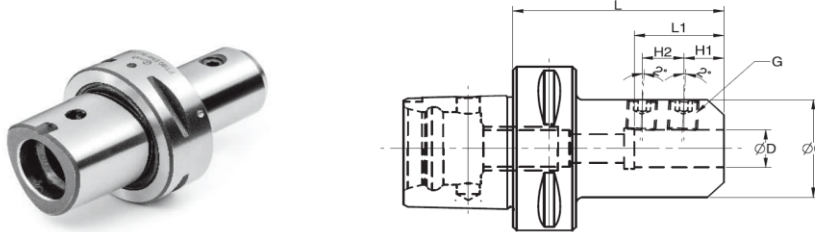




**Accutek AccuLock
PTI Shank Tools (CAPTO®)**
(Sept. 1, 2023 - Oct. 31, 2023)

**AccuLock PTI Toolholder Special Introductory Pricing
Manufactured to the CAPTO® ISO Standard**

PTI End Mill Holder (ISO 26623-1)



Catalog Number	Description	"D" inch	"C" inch	"L" inch	"H1" inch	"H2" inch	"G"	List Price	Special Price
84661216	PTI32-EMH 12-80	12mm	42	80	22.5		M12	\$ 456.00	\$ 364.80
84661416	PTI32-EMH 14-80	14mm	44	80	22.5		M12	\$ 456.00	\$ 364.80
84661616	PTI32-EMH 16-80	16mm	48	80	24		M14	\$ 456.00	\$ 364.80
84661816	PTI32-EMH 18-80	18mm	50	80	24		M14	\$ 456.00	\$ 364.80
84662610	PTI32-EMH 0.375-1.97	0.375	1.250	1.97	0.750		3/8"-24	\$ 460.00	\$ 368.00
84671115	PTI40-EMH 0.250-3.00	0.250	0.690	3	0.560		1/4"-28	\$ 425.00	\$ 340.00
84671316	PTI40-EMH 0.312-3.15	0.312	1.000	3.15	0.750		1/4"-28	\$ 425.00	\$ 340.00
84672610	PTI40-EMH 0.375-2.00	0.375	1.250	2	0.750		3/8"-24	\$ 450.00	\$ 360.00
84672616	PTI40-EMH 0.375-3.15	0.375	1.250	3.15	0.750		3/8"-24	\$ 425.00	\$ 340.00
84671511	PTI40-EMH 0.500-2.20	0.500	1.250	2.2	0.750		7/16"-20	\$ 460.00	\$ 368.00
84671516	PTI40-EMH 0.500-3.15	0.500	1.250	3.15	0.750		7/16"-20	\$ 425.00	\$ 340.00
84671711	PTI40-EMH 0.625-2.165	0.625	1.750	2.165	0.940		9/16"-18	\$ 460.00	\$ 368.00
84671713	PTI40 EMH 0.625-2.50	0.625	1.750	2.5	0.940		9/16"-18	\$ 425.00	\$ 340.00
84672812	PTI40-EMH 0.750-2.362	0.750	1.750	2.362	1.000		5/8"-18	\$ 460.00	\$ 368.00
84672817	PTI40 EMH 0.750-3.35	0.750	1.750	3.35	1.000		5/8"-18	\$ 460.00	\$ 368.00
84680710	PTI50-EMH 0.125-2.00	0.125	0.500	2	0.210		#10-32	\$ 525.00	\$ 420.00
84680910	PTI50-EMH 0.187-2.00	0.187	0.690	2	0.560		#10-32	\$ 525.00	\$ 420.00
84681110	PTI50-EMH 0.250-2.00	0.250	0.690	2	0.560		1/4"-28	\$ 490.00	\$ 392.00
84681310	PTI50-EMH 0.312-2.00	0.312	1.000	2	0.750		1/4"-28	\$ 490.00	\$ 392.00
84682610	PTI50-EMH 0.375-2.00	0.375	1.250	2	0.750		3/8"-24	\$ 490.00	\$ 392.00
84682611	PTI50-EMH 0.375-2.165	0.375	1.250	2.165	0.690		3/8"-24	\$ 490.00	\$ 392.00
84681512	PTI50-EMH 0.500-2.36	0.500	1.250	2.36	0.750		7/16"-20	\$ 490.00	\$ 392.00
84682817	PTI50-EMH 0.750-3.35	0.750	1.750	3.35	1.000		5/8"-18	\$ 465.00	\$ 372.00
85691115	PTI63-EMH 0.250-3.00	0.250	0.690	3.000	0.560	-	1/4"-28	\$ 495.00	\$ 396.00
85691316	PTI63-EMH 0.312-3.15	0.312	1.000	3.150	0.750	-	1/4"-28	\$ 495.00	\$ 396.00
85692616	PTI63-EMH 0.375-3.15	0.375	1.000	3.150	0.750	-	3/8"-24	\$ 495.00	\$ 396.00
85691516	PTI63-EMH 0.500-3.15	0.500	1.750	3.150	0.750	-	7/16"-20	\$ 495.00	\$ 396.00
85691716	PTI63-EMH 0.625-3.15	0.625	1.620	3.150	0.940	-	9/16"-18	\$ 495.00	\$ 396.00
85692817	PTI63-EMH 0.750-3.35	0.750	1.750	3.350	1.000	-	5/8"-18	\$ 495.00	\$ 396.00
85692118	PTI63-EMH 1.000-3.54	1.000	1.950	3.540	1.120	1.00	3/4"-16	\$ 495.00	\$ 396.00
85692217	PTI63-EMH 1.250-3.35	1.250	2.500	3.350	1.120	1.00	3/4"-16	\$ 495.00	\$ 396.00
84692319	PTI63-EMH 1.500-3.74	1.500	2.750	3.540	1.120	1.00	3/4"-16	\$ 495.00	\$ 396.00
84692525	PTI63-EMH 2.000-4.92	2.000	3.750	4.920	1.380	1.50	1"-14	\$ 660.00	\$ 528.00
84692529	PTI63-EMH 2.000-5.62	2.000	3.750	5.620	1.380	1.50	1"-14	\$ 680.00	\$ 544.00

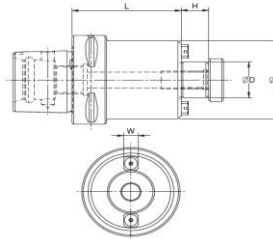


**Accutek AccuLock
PTI Shank Tools (CAPTO®)**
(Sept. 1, 2023 - Oct. 31, 2023)

**AccuLock PTI Toolholder Special Introductory Pricing
Manufactured to the CAPTO® ISO Standard**

84700614	PTI80-EMH 6-70	6mm	25mm	70mm	18mm		M6	\$ 570.00	\$ 456.00
84700620	PTI80-EMH 6-100	6mm	25mm	100mm	18mm		M6	\$ 570.00	\$ 456.00
84700814	PTI80-EMH 8-70	8mm	28mm	70mm	18mm		M8	\$ 570.00	\$ 456.00
84700820	PTI80-EMH 8-100	8mm	28mm	100mm	18mm		M8	\$ 570.00	\$ 456.00
84701014	PTI80-EMH 10-70	10mm	35mm	70mm	20mm		M10	\$ 570.00	\$ 456.00
84701020	PTI80-EMH 10-100	10mm	35mm	100mm	20mm		M10	\$ 570.00	\$ 456.00
84701214	PTI80-EMH 12-70	12mm	42mm	70mm	22.50mm		M12	\$ 570.00	\$ 456.00
84701220	PTI80-EMH 12-100	12mm	42mm	100mm	22.50mm		M12	\$ 570.00	\$ 456.00
84701614	PTI80-EMH 16-70	16mm	48mm	70mm	24mm		M14	\$ 570.00	\$ 456.00
84701620	PTI80-EMH 16-100	16mm	48mm	100mm	24mm		M14	\$ 570.00	\$ 456.00
84701114	PTI80-EMH .250-2.75	0.250	0.690	2.750	0.560		1/4"-28	\$ 570.00	\$ 456.00
84701120	PTI80-EMH .250-3.94	0.250	0.690	3.940	0.560		1/4"-28	\$ 570.00	\$ 456.00
84702614	PTI80-EMH .375-2.75	0.375	1.000	2.750	0.750		3/8"-24	\$ 570.00	\$ 456.00
84702620	PTI80-EMH .375-3.94	0.375	1.000	3.940	0.750		3/8"-24	\$ 570.00	\$ 456.00
84701514	PTI80-EMH .500-2.75	0.500	1.380	2.750	0.750		7/16"-20	\$ 570.00	\$ 456.00
84701520	PTI80-EMH .500-3.94	0.500	1.380	3.940	0.750		7/16"-20	\$ 570.00	\$ 456.00
84701714	PTI80-EMH .625-2.75	0.625	1.620	2.750	0.940		9/16"-18	\$ 570.00	\$ 456.00
84701720	PTI80-EMH .625-3.94	0.625	1.620	3.940	0.940		9/16"-18	\$ 570.00	\$ 456.00
84702814	PTI80-EMH .750-2.75	0.750	1.750	2.750	1.000		5/8"-18	\$ 570.00	\$ 456.00
84702820	PTI80-EMH .750-3.94	0.750	1.750	3.940	1.000		5/8"-18	\$ 596.00	\$ 476.80
84702120	PTI80-EMH 1.000-3.94	1.000	2.250	3.940	1.120	1.00	3/4"-16	\$ 596.00	\$ 476.80
84702220	PTI80-EMH 1.250-3.94	1.250	2.500	3.940	1.120	1.00	3/4"-16	\$ 596.00	\$ 476.80
84702320	PTI80-EMH 1.500-3.94	1.500	2.750	3.940	1.120	1.00	3/4"-16	\$ 596.00	\$ 476.80

PTI Shell Mill Holder (ISO 26623-1)



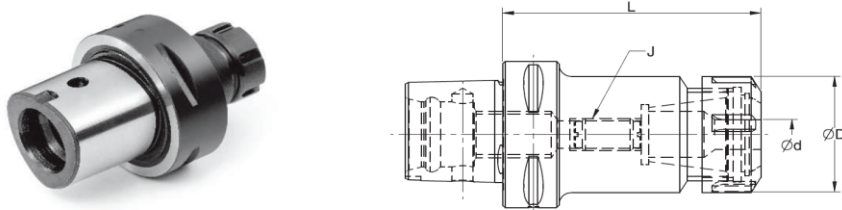
Catalog Number	Description	"D" inch	"D1" inch	"L" inch	"W" inch	Arbor Screw	Coolant Style	List Price	Special Price
81685009	PTI50-SMH 0.500-1.77	0.500	1.440	1.770	0.250	SMLS-050	Thru	\$ 470.00	\$ 376.00
81687505	PTI50-SMH 0.750-1.00	0.750	1.750	1.020	0.312	SMLS-075	Thru	\$ 495.00	\$ 396.00
81681008	PTI50-SMH 1.000-1.57	1.000	2.190	1.570	0.375	SMLS-100	Thru	\$ 495.00	\$ 396.00
81695005	PTI63-SMH .500-1.02	0.500	1.440	1.024	0.250	SMLS-050	Thru	\$ 510.00	\$ 408.00
81697510	PTI63-SMH .750-2.00	0.750	1.750	2.000	0.312	SMLS-075	Thru	\$ 510.00	\$ 408.00
81691010	PTI63-SMH 1.000-2.00	1.000	2.190	2.000	0.375	SMLS-100	Thru	\$ 510.00	\$ 408.00
81691213	PTI63-SMH 1.250-2.00	1.250	2.750	2.000	0.500	SMLS-125	Thru	\$ 510.00	\$ 408.00
81707516	PTI80-SMH 0.750-3.15	0.750	1.750	3.150	0.312	SMLS-075	Thru	\$ 650.00	\$ 520.00
81701013	PTI80-SMH 1.000-2.50	1.000	2.190	2.500	0.375	SMLS-100	Thru	\$ 675.00	\$ 540.00
81701214	PTI80-SMH 1.250-2.75	1.250	2.750	2.750	0.500	SMLS-125	Thru	\$ 695.00	\$ 556.00
81701510	PTI80-SMH 1.500-2.00	1.500	3.940	2.000	0.625	SMLS-150	Thru	\$ 105.00	\$ 84.00
81702010	PTI80-SMH 2.000-2.00	2.000	4.440	2.000	0.750	SMLS-200	Thru	\$ 835.00	\$ 668.00
81701650	PTI80-SMH 16-50	16mm	34mm	50mm	8	SMLS-16M	Thru	\$ 690.00	\$ 552.00



**Accutek AccuLock
PTI Shank Tools (CAPTO®)**
(Sept. 1, 2023 - Oct. 31, 2023)

**AccuLock PTI Toolholder Special Introductory Pricing
Manufactured to the CAPTO® ISO Standard**

PTI ER Collet Holder (ISO 26623-1)



Catalog Number	Description	Collet Size	"d" Range	"D" inch	"L" inch	"J" mm	Coolant Style	List Price	Special Price
87266210	PTI32-CHE 20-50	ER20	.118-.511	1.339	50	M12x175	Thru	\$ 450.00	\$ 360.00
87266310	PTI32-CHE 25-50	ER25	.118-.629	1.653	50	M16x6.0	Thru	\$ 450.00	\$ 360.00
87266412	PTI32-CHE 32-60	ER32	.118-.787	1.968	60	M18x1.50	Thru	\$ 450.00	\$ 360.00
87267114	PTI40-CHE 16-70	ER16	.118-.393	1.102	70	M10x1.5	Thru	\$ 410.00	\$ 328.00
87267210	PTI40-CHE 20-52	ER20	.118-.511	1.339	52	M12x175	Thru	\$ 410.00	\$ 328.00
87267310	PTI40-CHE 25-52	ER25	.118-.629	1.653	52	M16x6.0	Thru	\$ 410.00	\$ 328.00
87267411	PTI40-CHE 32-54	ER32	.118-.787	1.968	54	M18x1.50	Thru	\$ 410.00	\$ 328.00
87268112	PTI50-CHE 16-60	ER16	.118-.393	1.102	60	M10x1.5	Thru	\$ 410.00	\$ 328.00
87268114	PTI50-CHE 16-70	ER16	.118-.393	1.102	70	M10x1.5	Thru	\$ 410.00	\$ 328.00
87268120	PTI50-CHE 16-100	ER16	.118-.393	1.102	100	M10x1.5	Thru	\$ 410.00	\$ 328.00
87268124	PTI50-CHE 16-120	ER16	.118-.393	1.102	120	M10x1.5	Thru	\$ 410.00	\$ 328.00
87268212	PTI50-CHE 20-60	ER20	.118-.511	1.339	60	M12x175	Thru	\$ 410.00	\$ 328.00
87268214	PTI50-CHE 20-70	ER20	.118-.511	1.339	70	M12x175	Thru	\$ 410.00	\$ 328.00
87268220	PTI50-CHE 20-100	ER20	.118-.511	1.339	100	M12x175	Thru	\$ 410.00	\$ 328.00
87268224	PTI50-CHE 20-120	ER20	.118-.511	1.339	120	M12x175	Thru	\$ 410.00	\$ 328.00
87268226	PTI50-CHE 20-130	ER20	.118-.511	1.339	130	M12x175	Thru	\$ 425.00	\$ 340.00
87268227	PTI50-CHE 20-135	ER20	.118-.511	1.339	135	M12x175	Thru	\$ 425.00	\$ 340.00
87268311	PTI50-CHE 25-55	ER25	.118-.629	1.653	55	M16x6.0	Thru	\$ 410.00	\$ 328.00
87268318	PTI50-CHE 25-90	ER25	.118-.629	1.653	90	M16x6.0	Thru	\$ 410.00	\$ 328.00
87268412	PTI50-CHE 32-60	ER32	.118-.787	1.968	60	M18x1.50	Thru	\$ 410.00	\$ 328.00
87268420	PTI50-CHE 32-100	ER32	.118-.787	1.968	100	M18x1.50	Thru	\$ 410.00	\$ 328.00
87268516	PTI50-CHE 40-80	ER40	.157-1.023	2.480	80	M22x1.5	Thru	\$ 530.00	\$ 424.00
872690M12	PTI63-CHE 11M-60	ER11	.118-.275	0.748	60mm	M6x1.00	Thru	\$ 440.00	\$ 352.00
87269014	PTI63-CHE 11-70	ER11	.118-.275	0.748	70mm	M6x1.00	Thru	\$ 410.00	\$ 328.00
87269020	PTI63-CHE 11-100	ER11	.118-.275	0.748	100mm	M6x1.00	Thru	\$ 410.00	\$ 328.00
87269112	PTI63-CHE 16-60	ER16	.118-.393	1.102	60mm	M10x1.5	Thru	\$ 410.00	\$ 328.00
872691M12	PTI63-CHE 16M-60	ER16	.118-.393	1.102	60mm	M10x1.5	Thru	\$ 410.00	\$ 328.00
87269114	PTI63-CHE 16-70	ER16	.118-.393	1.102	70mm	M10x1.5	Thru	\$ 410.00	\$ 328.00
87269120	PTI63-CHE 16-100	ER16	.118-.393	1.102	100mm	M10x1.5	Thru	\$ 410.00	\$ 328.00
87269124	PTI63-CHE 16-120	ER16	.118-.393	1.102	120mm	M10x1.5	Thru	\$ 410.00	\$ 328.00

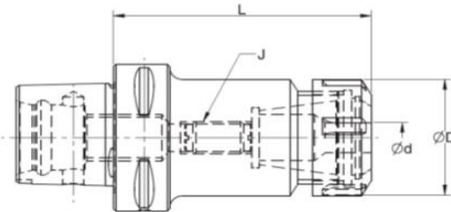


**Accutek AccuLock
PTI Shank Tools (CAPTO®)**
(Sept. 1, 2023 - Oct. 31, 2023)

**AccuLock PTI Toolholder Special Introductory Pricing
Manufactured to the CAPTO® ISO Standard**

87269212	PTI63-CHE 20-60	ER20	.118-.511	1.339	60mm	M12x175	Thru	\$ 410.00	\$ 328.00
87269214	PTI63-CHE 20-70	ER20	.118-.511	1.339	70mm	M12x175	Thru	\$ 410.00	\$ 328.00
87269220	PTI63-CHE 20-100	ER20	.118-.511	1.339	100mm	M12x175	Thru	\$ 410.00	\$ 328.00
87269224	PTI63-CHE 20-120	ER20	.118-.511	1.339	120mm	M12x175	Thru	\$ 410.00	\$ 328.00
87269227	PTI63-CHE 20-135	ER20	.118-.511	1.339	135mm	M12x175	Thru	\$ 410.00	\$ 328.00
87269312	PTI63-CHE 25-60	ER25	.118-.629	1.653	60mm	M16x6.0	Thru	\$ 410.00	\$ 328.00
87269318	PTI63-CHE 25-90	ER25	.118-.629	1.653	90mm	M16x6.0	Thru	\$ 410.00	\$ 328.00
87269320	PTI63-CHE 25-100	ER25	.118-.629	1.653	100mm	M16x6.0	Thru	\$ 410.00	\$ 328.00
87269326	PTI63-CHE 25-130	ER25	.118-.629	1.653	130mm	M16x6.0	Thru	\$ 410.00	\$ 328.00
87269332	PTI63-CHE 25-160	ER25	.118-.629	1.653	160mm	M16x6.0	Thru	\$ 410.00	\$ 328.00
87269412	PTI63-CHE 32-60	ER32	.118-.787	1.968	60mm	M18x1.50	Thru	\$ 410.00	\$ 328.00
87269414	PTI63-CHE 32-70	ER32	.118-.787	1.968	70mm	M18x1.50	Thru	\$ 410.00	\$ 328.00
87269420	PTI63-CHE 32-100	ER32	.118-.787	1.968	100mm	M18x1.50	Thru	\$ 410.00	\$ 328.00
87269426	PTI63-CHE 32-130	ER32	.118-.787	1.968	130mm	M18x1.50	Thru	\$ 410.00	\$ 328.00
87269513	PTI63-CHE 40-65	ER40	.157-1.023	2.480	65mm	M22X1.5	Thru	\$ 485.00	\$ 388.00
87269526	PTI63-CHE 40-130	ER40	.157-1.023	2.480	130mm	M22X1.5	Thru	\$ 485.00	\$ 388.00

PTI ER Collet Holder (ISO 26623-1)

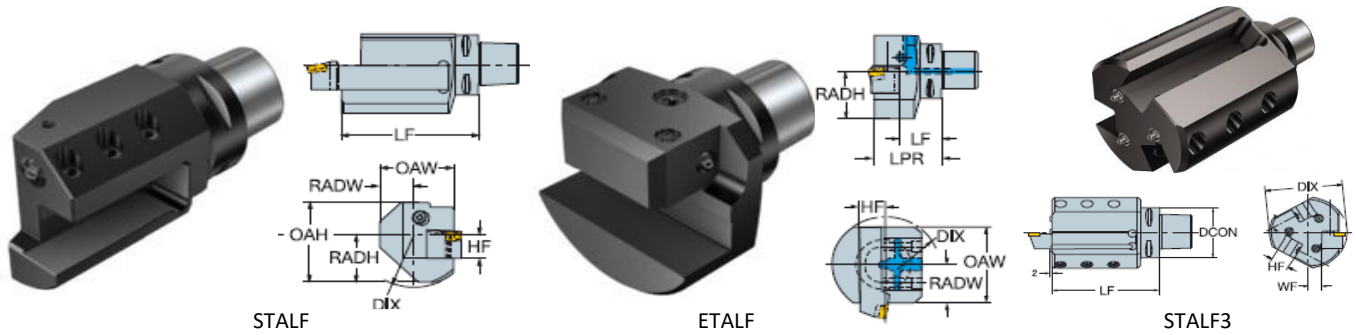


Catalog Number	Description	Collet Size	"d" Range	"D" inch	"L" inch	"J" mm	Coolant Style	List Price	Special Price
87270113	PIT80-CHE 16-65	ER16	.118-.393	1.102	65mm	M10x1.5	Thru	\$ 556.00	\$ 444.80
87270213	PTI80-CHE 20-65	ER20	.118-.511	1.339	65mm	M12x175	Thru	\$ 556.00	\$ 444.80
87270314	PTI80-CHE 25-70	ER25	.118-.629	1.653	70mm	M16x6.0	Thru	\$ 590.00	\$ 472.00
87270414	PTI80-CHE 32-70	ER32	.118-.787	1.968	70mm	M18x1.50	Thru	\$ 590.00	\$ 472.00
87270420	PTI80-CHE 32-100	ER32	.118-.787	1.968	100mm	M18x1.50	Thru	\$ 590.00	\$ 472.00
87270432	PTI80-CHE 32-160	ER32	.118-.787	1.968	130mm	M18x1.50	Thru	\$ 590.00	\$ 472.00
87270514	PTI80-CHE 40-70	ER40	.157-1.023	2.480	70mm	M22X1.5	Thru	\$ 590.00	\$ 472.00
87270520	PTI80-CHE 40-100	ER40	.157-1.023	2.480	100mm	M22X1.5	Thru	\$ 590.00	\$ 472.00
87270524	PTI80-CHE 40-120	ER40	.157-1.023	2.480	120mm	M22X1.5	Thru	\$ 590.00	\$ 472.00
87270532	PTI80-CHE 40-160	ER40	.157-1.023	2.480	160mm	M22X1.5	Thru	\$ 590.00	\$ 472.00



**Accutek AccuLock
PTI Shank Tools (CAPTO®)**
(Sept. 1, 2023 - Oct. 31, 2023)

AccuLock PTI Toolholder Special Introductory Pricing
Manufactured to the CAPTO® ISO Standard



Catalog Number	Description	Shank	RADW	OAW	"LF" inch	"h" mm	Coolant Style	List Price	Special Price
7268R112020	PTI50-STAR-20100Y	PTI50					ports	\$ 895.00	\$ 716.00
7268R112027	PTI50-STAR-20134Y	PTI50					ports	\$ 895.00	\$ 716.00
726940L2112	PTI63-ETALF-16Y	PTI63	1.496	2.992	2.150	1.000	ports	\$ 750.00	\$ 600.00
7269L052126	PTI63-STALF-16130Y	PTI63	1.181	2.756	4.803	1.000	ports	\$ 750.00	\$ 600.00
7269R052126	PTI63-STAR-16130Y	PTI63					ports	\$ 750.00	\$ 600.00
7269L112020	PTI63-STALF-20100Y	PTI63	30mm	63.5mm	105mm	20mm	ports	\$ 1,200.00	\$ 960.00
7269L122820	PTI63-STALF-12100Y	PTI63	1.457	2.500	4.134	0.750	ports	\$ 1,200.00	\$ 960.00
7269L3162825	PTI63-STALF-312125Y	PTI63	3.5430	3.5430	4.843	0.750	ports	\$ 1,630.00	\$ 1,304.00
7270L052126	PTI80-STALF 16Y	PTI80					ports	\$ 1,650.00	\$ 1,320.00